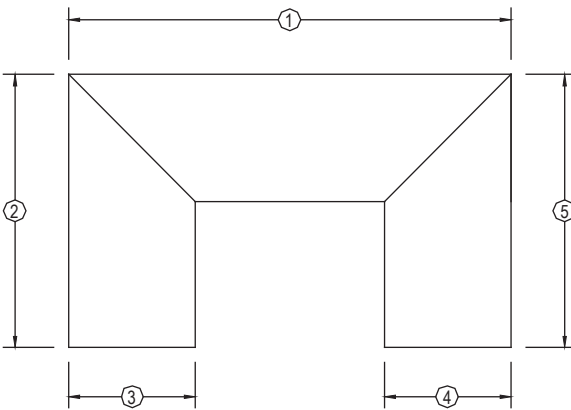
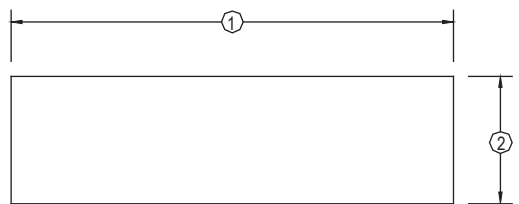
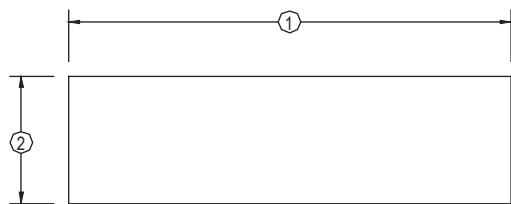
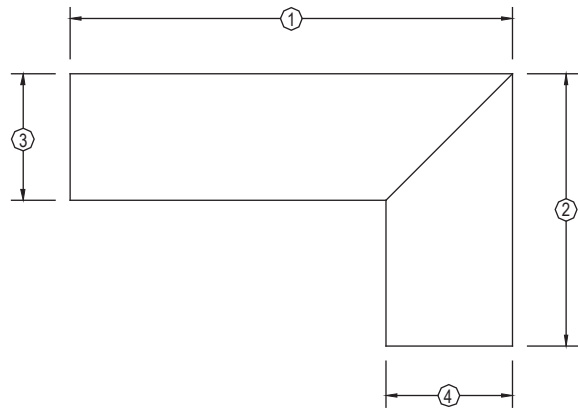
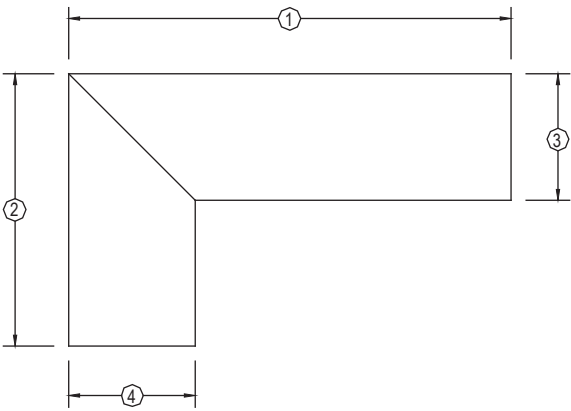
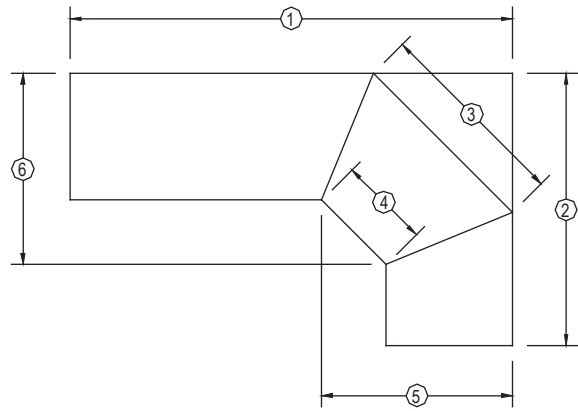
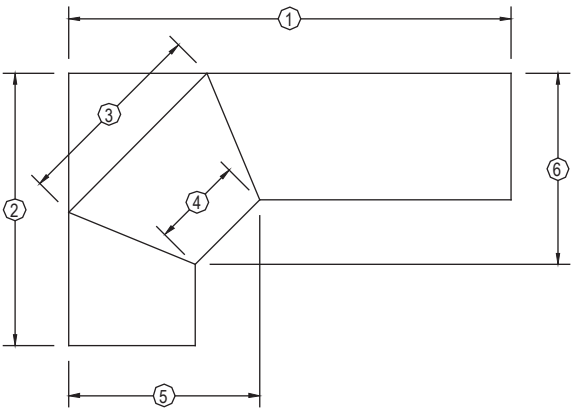


## Templates for Ordering & Measuring



### Dimension Verification

- \* Please specify cabinet or countertop dimensions
- \* Note: on 22.5° corners and on counters with attached islands, both cabinet and counter measurements will be needed
- \* Designate end cap & backsplash locations